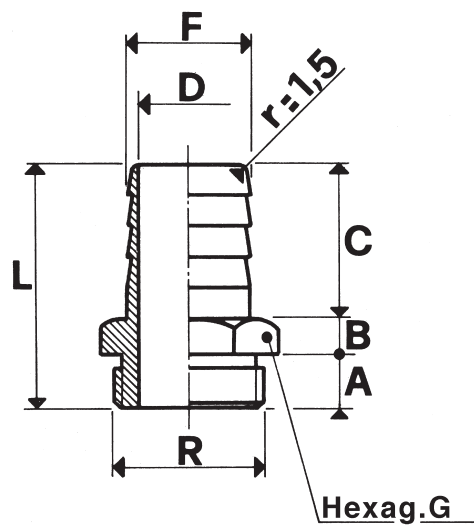


[Fittings and hose for vacuum]

Hose tails	page	6.01
Hose fittings	page	6.02
Hose fittings with rapid coupling	page	6.03
Flexible hose and fittings	page	6.04

[Hose tails]

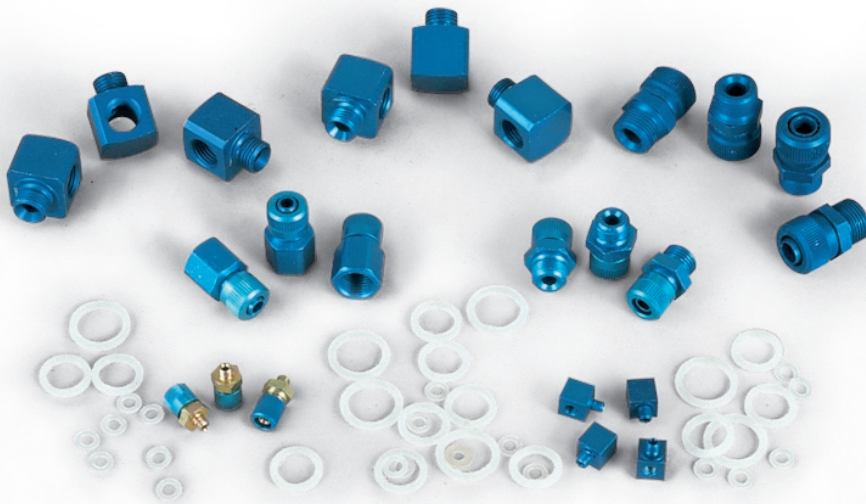


The hose tails manufactured by us, are the classic dowelled pipe fittings, made in brass and nickel-plated.

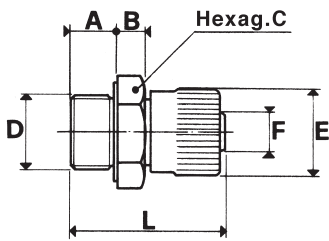
They are suitable for the connection of smooth or reinforced flexible hose, up to an internal diameter of 40 mm.

Art.	A	B	C	D Ø	F Ø	G	L	R Ø
RS 1/4"	12	5	18	5	9	17	35	1/4"
RS 3/8"	8	5	20	9	13	19	33	3/8"
RS 1/2"	10	5	25	12	16	23	40	1/2"
RS 3/4"	12	8	35	16	21	28	55	3/4"
RS 1"	12	8	35	22	27	36	55	1"
RS 1" 1/4	15	10	42	28	35	44	67	1"1/4
RS 1" 1/2	15	10	45	33	40	50	70	1"1/2

[Hose fittings]

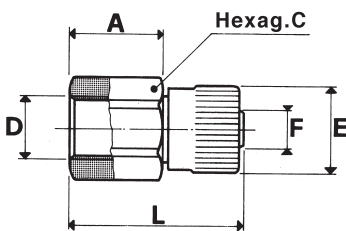


Male hose fitting



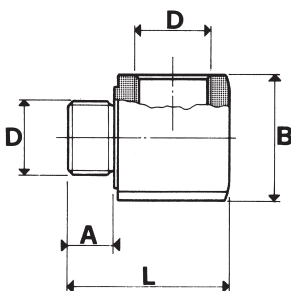
Art.	A	B	C	D	E	F	L
				Ø	Ø	Ø hose	
RM M5	5	3.5	10	M5	10	4	19.5
RM 1/8"	7	4.5	14	1/8"	13	4	24.5
RM 1/4"	8.5	5.0	17	1/4"	15	6	27.0
RM 3/8"	10.5	5.0	19	3/8"	20	9	32.5

Female hose fitting



Art.	A	C	D	E	F	L
			Ø	Ø	Ø hose	
RF 1/8"	14	14	1/8"	13	4	27.0
RF 1/4"	16	17	1/4"	15	6	30.0
RF 3/8"	20	19	3/8"	20	9	32.5

L - type hose fitting



Art.	A	B	D	L
			Ø	
RL M5	4.5	10	M5	15
RL 1/8"	7.0	16	1/8"	24
RL 1/4"	9.0	22	1/4"	29
RL 3/8"	11.0	25	3/8"	33

They are particularly suitable for connection of the cup holders to their manifolds and in all those cases where a connection to vacuum sources via small diameter hose is required.

They are suitable for smooth flexible hose with internal diameters of 4, 6 and 9 mm. which is the maximum internal diameter allowed for vacuum hose without chafing strip.

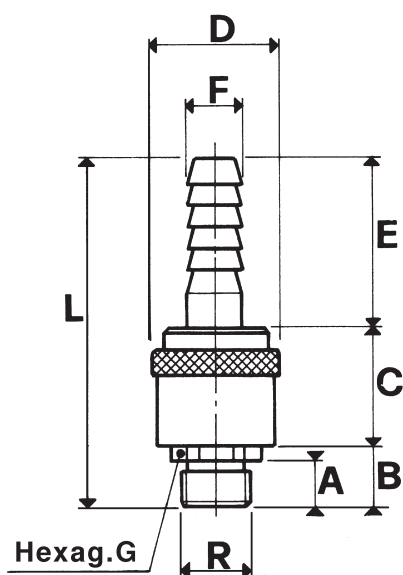
These hose fittings are of the semi-rapid type, the hose is locked by clamping by hand a knurled bush, without using keys.

Our hose fittings are made in aluminium to guarantee lightness and they are blue anodized in order to satisfy aesthetical requirements.

They are sold in practical packagings of 10 or 50 pieces and they are supplied complete with their nylon seals.



[Hose fittings with rapid coupling]

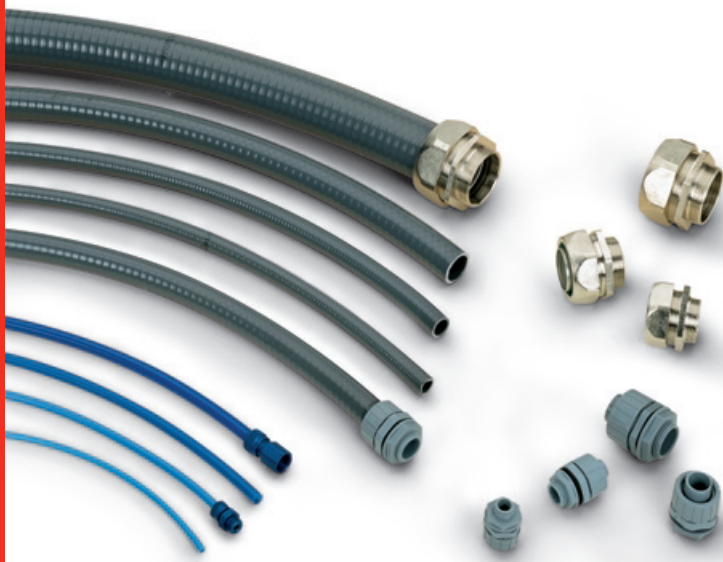


Our hose fittings with rapid coupling consist of a jack with hose tail and of a coupling with male threaded connection which connects itself to the jack.

They are secured by means of a ring of balls pushed by a spring and seal is guaranteed by a synthetic rubber gasket.

The particular execution of this hose fitting allows the parts forming it, to turn freely at low speed and to rapidly couple and disconnect, acting by hand on the knurled ring nut, which slides on the jack. These hose fittings are completely made in brass and they are available in various sizes.

Art.	A	B	C	D Ø	E	F Ø	G	L	R Ø
RR 3/8"	10.5	14.5	29	30	38	13	21	81.5	3/8"
RR 1/2"	10.5	14.5	29	30	38	16	21	81.5	1/2"
RR 3/4"	11.5	15.5	29	30	38	20	26	82.5	3/4"
RR 1"	11.5	15.5	31	38	38	25	34	84.5	1"
RR 1" 1/4	13.5	24.5	47	68	49	35	42	120.5	1"1/4
RR 1" 1/2	15.0	25.0	50	68	52	40	48	127.0	1"1/2



[Flexible hose for vacuum and hose fittings]

Hose TPL



Art.	d Ø int.	D Ø ext.	Bending radius	Weight grs/m	Size m.
TPL 2	2.5	4	40	8.0	100
TPL 4	4.0	6	50	19.5	100
TPL 6	6.0	8	60	20.5	100
TPL 8	8.0	10	70	24.0	100
TPL 9	9.0	12	75	28.0	50
TPL12	12.0	15	90	67.0	50
TPL16	16.0	18	350	56.0	50
TPL18	18.0	22	400	133.0	50

Flexible hose could not be missing in the wide range of vacuum accessories of our production. Production of this hose, studied by us on purpose for vacuum, has been entrusted to one of the leading companies in this field.

It is a single piece hose, made with insulating and self-extinguishing plastic materials, including the internal hose core to reinforce the TPR wall. Our hose is particularly accurate in its section, has a very good flexibility which guarantees minimal bending radius and is very light in relation to its high resistance to collapse.

The inner wall is smooth and this allows to reduce at the minimum degree the harmful load losses.

This flexible hose has an excellent functionality and a very high resistance to the action of atmospheric agents and to most of the chemical products.

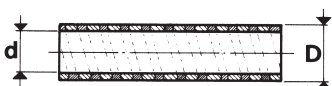
At the moment they are available in different diameters, up to a maximum internal diameter of 51,9 mm.

Connection to TPL flexible hose is guaranteed by the hose fittings previously described, while for the TPR hose we have developed a new line of RTPR fittings which represents an absolute novelty. The RTPR hose fittings from 3/8" to 1" are made in self-extinguishing polypropylene; the larger ones are in metal. They are very strong and have a perfect vacuum seal.

The use of these fittings allows to eliminate the non-aesthetic hose clamps and to make connection much safer.

They are available in different sizes, according to the diameter of the hose to be connected.

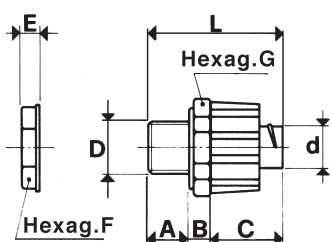
Hose TPR



Art.	d Ø int.	D Ø ext.	Bending radius	Weight grs/m	Size m.
TPR 3/8"	12.7	17.8	64	150	30
TPR 1/2"	16.2	21.1	81	170	30
TPR 3/4"	21.3	26.4	107	230	30
TPR 1"	27.0	33.1	135	370	30
TPR 1"1/4	35.7	41.8	179	500	30
TPR 1"1/2	40.6	47.8	203	630	15
TPR 2"	51.9	59.8	260	900	15

Working temperature: -10° /+60° C

Hose fittings RTPR



Art.	A	B	C	d Ø	D Ø	E	F	G	L
RTPR 3/8"	14.5	8.5	23.5	12.0	3/8"	6	26	28	46.5
RTPR 1/2"	14.5	9.0	26.5	15.5	1/2"	7	28	33	50.0
RTPR 3/4"	14.0	10.5	26.5	20.8	3/4"	9	35	38	51.0
RTPR 1"	16.0	9.0	32.5	26.5	1"	10	41	44	57.5
RTPR 1"1/4	11.0	6.0	28.5	34.5	1"1/4	--	--	52	45.5
RTPR 1"1/2	14.0	7.0	34.0	39.5	1"1/2	--	--	60	55.0
RTPR 2"	14.0	7.0	33.0	50.0	2"	--	--	74	54.0